



2024 PRICE LIST

PSS SHAFT SEALS

Bellows Ref #	Shaft Diameters	Bellows Carbon Cuff I.D.	Stern Tube Diameters	Type A Seal Price	PRO Seal Price	Type B Seal Price
1	3/4", 7/8" 20mm, 22mm	2"	1 1/4", 1 1/2", 1 3/4" , 2", 2 1/4"	\$365.00	\$416.00	—
			Over Sized (2 1/2")	\$395.00	\$445.00	—
	1", 1 1/8" 25mm, 28mm, 30mm		1 1/4", 1 1/2", 1 3/4" , 2", 2 1/4"	\$377.00	\$434.00	—
			Over Sized (2 1/2")	\$413.00	\$474.00	—
2	1 1/4", 1 3/8" 32mm, 35mm	2 1/2"	1 3/4", 2" , 2 1/4", 2 1/2"	\$432.00	\$491.00	—
			Over Sized (2 3/4", 3" , 3 1/4", 3 1/2")	\$468.00	\$538.00	—
3	1 1/2", 1 5/16" 38mm, 40mm	3 1/4"	2", 2 1/4", 2 1/2" , 2 3/4", 3" , 3 1/4", 3 1/2"	\$571.00	\$642.00	—
			Over Sized (3 3/4", 4")	\$668.00	\$745.00	—
	1 3/4" 45mm		2 1/4", 2 1/2" , 2 3/4", 3" , 3 1/4", 3 1/2"	\$625.00	\$728.00	—
			Over Sized (3 3/4", 4")	\$734.00	\$838.00	—
	2" 50mm, 55mm		2 1/2" , 2 3/4", 3" , 3 1/4", 3 1/2"	\$734.00	\$838.00	—
Over Sized (3 3/4", 4")		\$837.00	\$948.00	—		
4	2 1/4", 2 1/2" 60mm, 65mm	3 3/4"	3 1/4", 3 1/2" , 3 3/4" , 4"	\$837.00	\$1,028.00	—
			Over Sized (4 1/4", 4 1/2" , 4 3/4", 5")	\$941.00	\$1,144.00	—
5	2 3/4" 70mm	4 1/4"	4", 4 1/4", 4 1/2" , 4 3/4", 5"	\$1,056.00	\$1,265.00	—
			Over Sized (5 1/4" , 5 1/2", 5 3/4", 6")	\$1,341.00	\$1,594.00	—
	3" 75mm, 80mm		4", 4 1/4", 4 1/2" , 4 3/4", 5"	\$1,195.00	\$1,415.00	—
			Over Sized (5 1/4" , 5 1/2", 5 3/4", 6")	\$1,493.00	\$1,756.00	—
6	3 1/4", 3 1/2" 85mm, 90mm	5 3/8"	4 1/2", 4 3/4", 5", 5 1/4" , 5 1/2", 5 3/4", 6"	\$2,063.00	\$2,305.00	—
			Over Sized (6 1/4", 6 1/2", 6 3/4", 7")	\$3,009.00	\$3,102.00	—
	3 5/8", 3 3/4" 95mm		4 1/2", 4 3/4", 5", 5 1/4" , 5 1/2", 5 3/4", 6"	\$2,275.00	\$2,830.00	—
			Over Sized (6 1/4", 6 1/2", 6 3/4", 7")	\$3,215.00	\$3,616.00	—
7	4", 100mm	6 1/2"	5" - 7"	—	—	\$5,313.00 *
	4 1/4", 105mm, 110mm		5" - 7"	—	—	\$5,602.00 *
	4 1/2", 115mm		5" - 7"	—	—	\$5,891.00 *
8	4 3/4", 120mm	8"	6" - 8 5/8"	—	—	\$6,180.00 *
	5", 5 1/4", 125mm, 130mm		6" - 8 5/8"	—	—	\$6,468.00 *
	5 1/2", 140mm		6" - 8 5/8"	—	—	\$7,104.00 *
	6", 150mm		6" - 8 5/8"	—	—	\$7,681.00 *
	6 1/2", 165mm		7" - 8 5/8"	—	—	\$8,085.00 *

Prices subject to change without notice.

Bold stern tube sizes means no reducer is used for the bellows.

* Comes with bellows rings

How To Determine The Part Number

Example 1 (Type A or B) : 02-112-212 Example 2 (PRO): 03-25M-214

112 = 1 1/2" Shaft Diameter

25M = 25mm Shaft Diameter

212 = 2 1/2" Stern Tube Diameter

214 = 2 1/4" Stern Tube Diameter

PSS MAINTENANCE KITS

Includes bellow, o-rings (2qty) , set screws (5qty), hose clamps (4qty), Clamp Jackets (4qty), allen wrench and thread lock.

Shaft Diameters	Stern Tube Diameters	Type A Seal Price	PRO Seal Price	Type B Seal Price
3/4", 7/8" 20mm, 22mm	1 1/4", 1 1/2", 1 3/4" , 2", 2 1/4"	\$111.00	\$147.00	—
	Over Sized (2 1/2")	\$144.00	\$174.00	—
1", 1 1/8" 25mm, 28mm, 30mm	1 1/4", 1 1/2", 1 3/4" , 2", 2 1/4"	\$111.00	\$147.00	—
	Over Sized (2 1/2")	\$144.00	\$174.00	—
1 1/4", 1 3/8" 32mm, 35mm	1 3/4", 2" , 2 1/4", 2 1/2"	\$144.00	\$174.00	—
	Over Sized (2 3/4", 3" , 3 1/4", 3 1/2")	\$183.00	\$214.00	—
1 1/2", 1 5/8" 38mm, 40mm	2", 2 1/4", 2 1/2" , 2 3/4", 3" , 3 1/4", 3 1/2"	\$183.00	\$214.00	—
	Over Sized (3 3/4" , 4")	\$262.00	\$307.00	—
1 3/4" 45mm	2 1/4", 2 1/2", 2 3/4", 3" , 3 1/4", 3 1/2"	\$183.00	\$214.00	—
	Over Sized (3 3/4" , 4")	\$262.00	\$307.00	—
2" 50mm, 55mm	2 1/2" , 2 3/4", 3" , 3 1/4", 3 1/2"	\$183.00	\$214.00	—
	Over Sized (3 3/4" , 4")	\$262.00	\$307.00	—
2 1/4", 2 1/2" 60mm, 65mm	3 1/4", 3 1/2" , 3 3/4" , 4"	\$262.00	\$307.00	—
	Over Sized (4 1/4", 4 1/2" , 4 3/4", 5")	\$371.00	\$416.00	—
2 3/4" 70mm	4", 4 1/4", 4 1/2" , 4 3/4", 5"	\$371.00	\$416.00	—
	Over Sized (5 1/4" , 5 1/2", 5 3/4", 6")	\$728.00	\$815.00	—
3" 75mm, 80mm	4", 4 1/4", 4 1/2" , 4 3/4", 5"	\$371.00	\$416.00	—
	Over Sized (5 1/4" , 5 1/2", 5 3/4", 6")	\$728.00	\$815.00	—
3 1/4", 3 1/2" 85mm, 90mm	4 1/2", 4 3/4", 5", 5 1/4" , 5 1/2", 5 3/4", 6"	\$728.00	\$815.00	—
3 5/8", 3 3/4" 95mm	4 1/2", 4 3/4", 5", 5 1/4" , 5 1/2", 5 3/4", 6"	\$728.00	\$815.00	—
4" 100mm	5" - 7"	—	—	\$1,034.00 *
4 1/4" 105mm, 110mm	5" - 7"	—	—	\$1,034.00 *
4 1/2" 115mm	5" - 7"	—	—	\$1,034.00 *
4 3/4" 120mm,	6" - 8 5/8"	—	—	\$1,340.00 *
5", 5 1/4" 125mm, 130mm	6" - 8 5/8"	—	—	\$1,340.00 *
5 1/2" 140mm	6" - 8 5/8"	—	—	\$1,340.00 *
6" 150mm	6" - 8 5/8"	—	—	\$1,340.00 *
6 1/2" 165mm	7" - 8 5/8"	—	—	\$1,340.00 *

Prices subject to change without notice.

Bold stern tube sizes means no reducer is used for the bellow.

* Comes with bellow rings

How To Determine The Part Number

Example 1 (Type A or B) : 07-**112**-**212**R Example 2 (PRO): 07-**25M**-**214**PR

112 = 1 1/2" Shaft Diameter

25M = 25mm Shaft Diameter

212 = 2 1/2" Stern Tube Diameter

214 = 2 1/4" Stern Tube Diameter

O-RING KITS

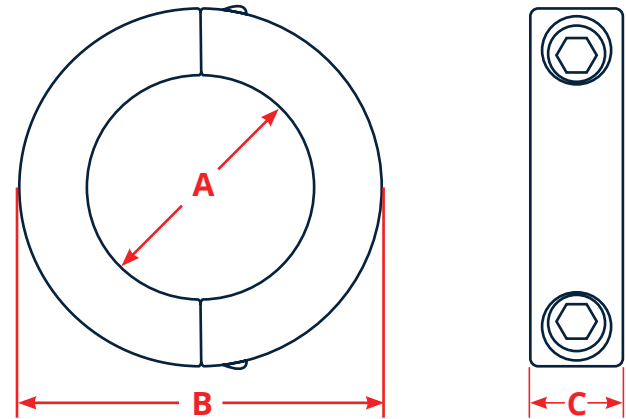
Includes o-rings (2qty), set screws (5qty), allen wrench, thread lock and Clamp Jackets (4qty).

Shaft Diameters	Part #	Retail Price
3/4" (20mm)	07-N03-4	\$6.00
7/8" (22mm)	07-N07-8	\$6.00
1" (25mm)	07-N10-0	\$6.00
1 1/8" (28mm)	07-N11-8	\$6.00
30mm	07-N30-M	\$7.00
1 1/4" (32mm)	07-N11-4	\$7.00
1 3/8" 35mm	07-N13-8	\$7.00
1 1/2"	07-N11-2	\$8.00
1 5/8" (40mm)	07-N40-M	\$8.00
1 3/4" (45mm)	07-N13-4	\$8.00

Shaft Diameters	Part #	Price
2" (50mm)	07-N20-0	\$8.00
2 1/4" (55mm)	07-N21-4	\$8.00
60mm	07-N60-M	\$8.00
2 1/2" (65mm)	07-N21-2	\$8.00
2 3/4" (70mm)	07-N23-4	\$8.00
3" (75mm)	07-N30-0	\$8.00
3 1/4" (80mm)	07-N31-4	\$8.00
85mm	07-N85-M	\$8.00
3 1/2" (90mm)	07-N31-2	\$8.00
3 3/4" (95mm)	07-N33-4	\$8.00

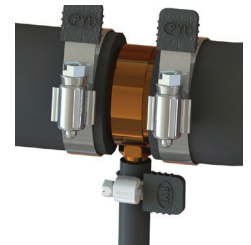
SHAFT RETENTION COLLARS

A	B	C	Part #	Price
3/4"	1 1/2"	1/2"	07-SRC-034	\$26.00
7/8"	1 5/8"	1/2"	07-SRC-078	\$32.00
1"	1 3/4"	1/2"	07-SRC-100	\$32.00
1 1/8"	1 7/8"	1/2"	07-SRC-118	\$32.00
1 1/4"	2 1/16"	1/2"	07-SRC-114	\$37.00
1 3/8"	2 1/4"	9/16"	07-SRC-138	\$50.00
1 1/2"	2 3/8"	9/16"	07-SRC-112	\$74.00
1 3/4"	2 3/4"	1 1/16"	07-SRC-134	\$86.00
2"	3"	1 1/16"	07-SRC-200	\$122.00
2 1/4"	3 1/4"	3/4"	07-SRC-214	\$171.00
2 1/2"	3 3/4"	3/4"	07-SRC-212	\$183.00
2 3/4"	4"	7/8"	07-SRC-234	\$207.00
3"	4 1/4"	7/8"	07-SRC-300	\$231.00
3 1/4"	4 5/8"	7/8"	07-SRC-314	\$268.00
3 1/2"	4 5/8"	7/8"	07-SRC-312	\$268.00
3 3/4"	4 7/8"	7/8"	07-SRC-334	\$553.00
25mm	45mm	15mm	07-SRC-25M	\$44.00
30mm	54mm	15mm	07-SRC-30M	\$50.00
35mm	57mm	15mm	07-SRC-35M	\$61.00
40mm	60mm	15mm	07-SRC-40M	\$86.00
45mm	73mm	19mm	07-SRC-45M	\$110.00
50mm	78mm	19mm	07-SRC-50M	\$122.00
55mm	82mm	19mm	07-SRC-55M	\$146.00
60mm	88mm	19mm	07-SRC-60M	\$177.00
65mm	93mm	19mm	07-SRC-65M	\$183.00
70mm	98mm	19mm	07-SRC-70M	\$219.00
75mm	103mm	19mm	07-SRC-75M	\$268.00
80mm	108mm	19mm	07-SRC-80M	\$268.00
85mm	118mm	23mm	07-SRC-85M	\$268.00
90mm	121mm	23mm	07-SRC-90M	\$268.00
95mm	137mm	23mm	07-SRC-95M	\$553.00



T-ADAPTER KITS

Inside Dia. Hose	Part #	Price
1/2"	07-KIT-012	\$63.00
3/4"	07-KIT-034	\$63.00
1"	07-KIT-100	\$63.00
1 1/4"	07-KIT-114	\$63.00
1 1/2"	07-KIT-112	\$70.00



PYI offers T-Kits to help facilitate the installation of the PSS Shaft Seal. These T-Kits enable the installer to tee into the raw water discharge hose and plumb water to the hose barb fitting of the PSS Shaft Seal. Some examples of water pick-up points are: between the heat exchanger and riser, between oil cooler and heat exchanger and between the water pump and oil cooler.

VENT & FLOW INDICATOR

Part #	Description	Price
07-HYV-ENTKIT	Hy-Vent, float style vent	\$48.00
07-SFI-KIT	Sight Flow Indicator	\$237.00

SET SCREWS

Shaft Diameters	Part #	Description	Price
3/4" - 1 3/8"	07-014-PLAIN	1/4"x20 set screw	\$1.00
1 1/2" - 3 3/4"	07-038-PLAIN	3/8"x16 set screw	\$2.00
N/A	07-LOC-121	Blue thread lock (only 3/4"-3 3/4" shafts)	\$4.00

PSS RUDDER SEAL

For rudders $\frac{3}{4}$ " to 2" (20mm - 55mm) diameters



How To Determine The Part Number

Example 1: 01-112-212RP

112 = 1½" Rudder Post Dia.

212 = 2½" Tube Dia.

Example 2: 01-25M-214RP

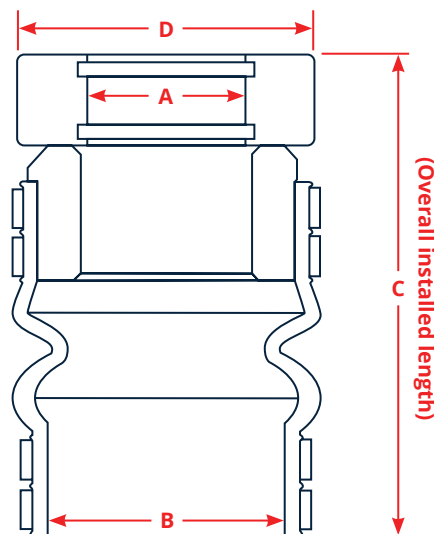
25M = 25mm Rudder Post Dia.

214 = 2¼" Tube Dia.

TECHNICAL SPECIFICATIONS

Temperature Limits	5 to 225°F (-15 to 107°C)
Pressure Limits	15 PSI (1 BAR)
Shaft RPM Limits	10,000 RPM
Carbon Graphite	Lapped to 4 HLB (0.000044" tolerance)
316 SS	Faced to 9 Ra
Bellow Material	Mandrel formed silicone / fabric

- For commercial and pleasure boats, for shafts $\frac{3}{4}$ " to 2" (20mm to 55mm). Larger sizes on request.



PSS RUDDER SEAL IMPERIAL SIZES

Rudder Post Diameter (A)	Tube Diameter (B)	Overall Length (C)	Compressed Length (C)	D	Price
$\frac{3}{4}$ ", $\frac{7}{8}$ ", 1", 1½"	1¾", 2", 2¼"	5.5"	5"	2.375"	\$365.00
1¼", 1¾"	2", 2¼", 2½"	5.5"	5"	2.875"	\$432.00
1½", 1¾"	2", 2¼", 2½"	5.5"	5"	3.75"	\$571.00
1¾"	2", 2¼", 2½"	5.5"	5"	3.75"	\$625.00
2"	2¼", 2½"	5.5"	5"	3.75"	\$734.00

PSS RUDDER SEAL METRIC SIZES (mm)

Rudder Post Diameter (A)	Tube Diameter (B)	Overall Length (C)	Compressed Length (C)	D	Price
20, 22, 25, 28, 30	1¾", 2", 2¼"	5.5"	5"	2.375"	\$365.00
32, 35	2", 2¼", 2½"	5.5"	5"	2.875"	\$432.00
38, 40	2", 2¼", 2½"	5.5"	5"	3.75"	\$571.00
45	2", 2¼", 2½"	5.5"	5"	3.75"	\$625.00
50, 55	2¼", 2½"	5.5"	5"	3.75"	\$734.00

PSS Seal

12532 Beverly Park Road Ste. B

Lynnwood, WA 98087

Tel: 425-400-1772

www.pssseal.com

02-08012024