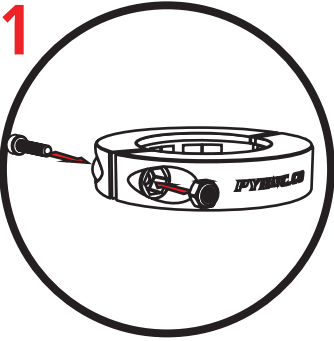
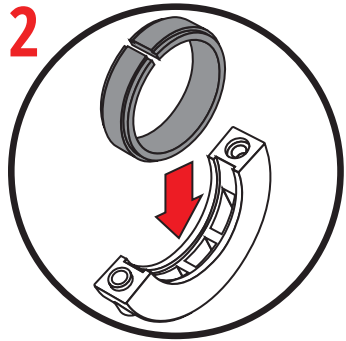


# SRC

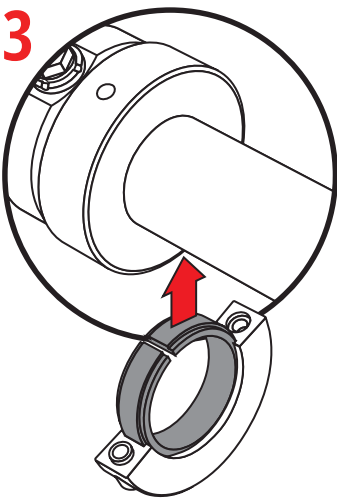
## INSTALLATION INSTRUCTIONS



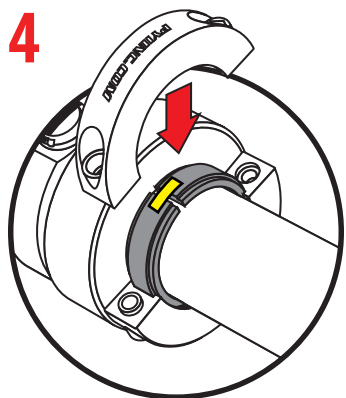
1  
Pre-install the nuts on both collars by using the bolt to pull the nut into place.



2  
Insert the rubber strip into the collar.



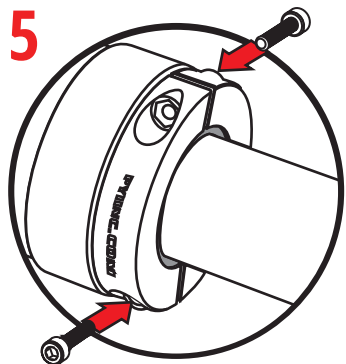
3  
Install the rubber strip and collar assembly around the propeller shaft.



4  
Apply tape to the ends of the rubber strip to hold it in place. Install the other half of the collar.

### HARDWARE

- M6 x 1 x 30mm - 2qty
- M6 Nyloc Nut - 2qty



5  
Tighten the assembly (alternating sides, back and forth) with the provided two bolts. *Snug, do not over tighten.*

### PSS Seal

12532 Beverly Park Road Ste. B  
Lynnwood, WA 98087  
425-400-1772  
info@psseal.com  
www.psseal.com

01-07172024